

Specification

DATE: 2014-11-1

SIZE: 57mm, 0.5W,8Ω

NAME: Speaker

ITEM NO: LS57N-12F

Draw up:	
Audit:	
Approve:	

Speaker Specification

Item No	LS57N-12F
Customer	
Specification	Neo, 57mm, 0.5W8Ω

1.Item Requirements:

Attribute	Value
1.1 Rate power	0.5W
1.2 Max power	1W
1.3 Sensitivity	92±3dB
1.4 Impedance	8Ω±15%
1.5 Frequency	Fo~~9KHZ
1.6Resonance frequency	500±20%
1.7 Distortion rate	≤5%
1.8 Magnet size	Φ12.5*2.0mm
1.9 Weight	18g±8%
2.0 Size	Φ57*13Hmm
2.1voice coil & Material	Φ13.28mm PL
2.2 Cone	Plastic cone (waterproof)

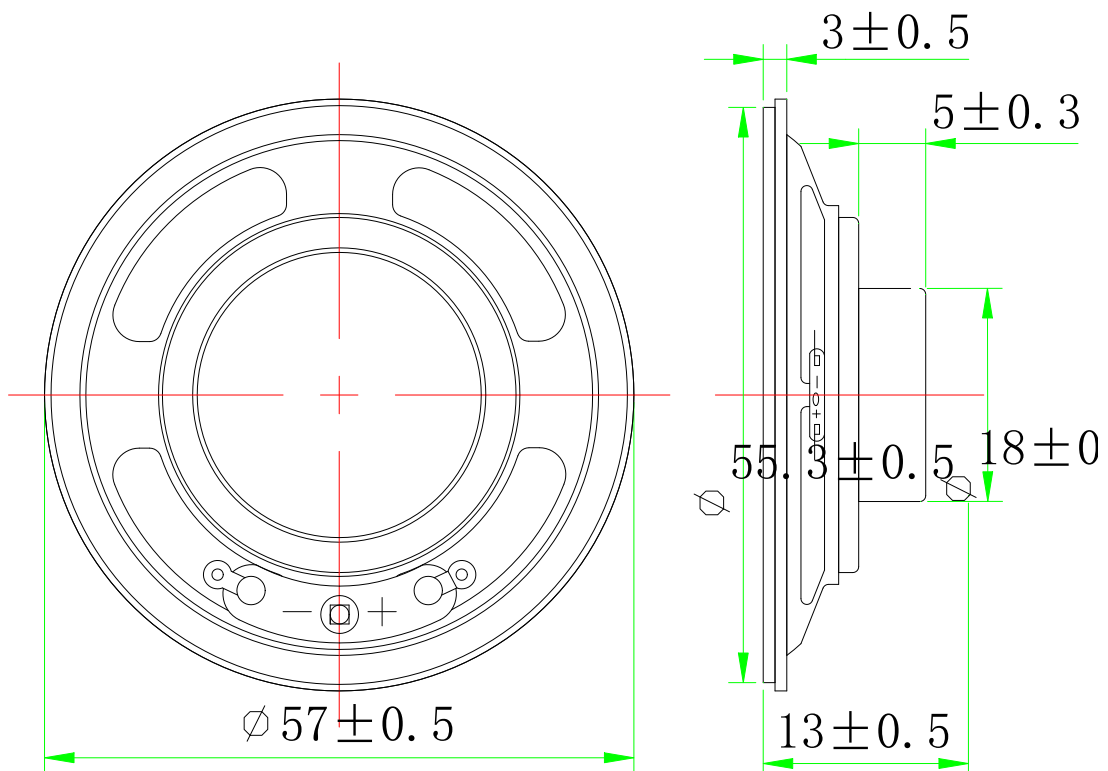
2.Components:

Basket, Pole piece, U-yoke, wiring board, magnet, cone, voice coil, spiders, dust cap, down-lead, layering

3.Pictures:



4. Dimensions picture:



5.DB picture:

